

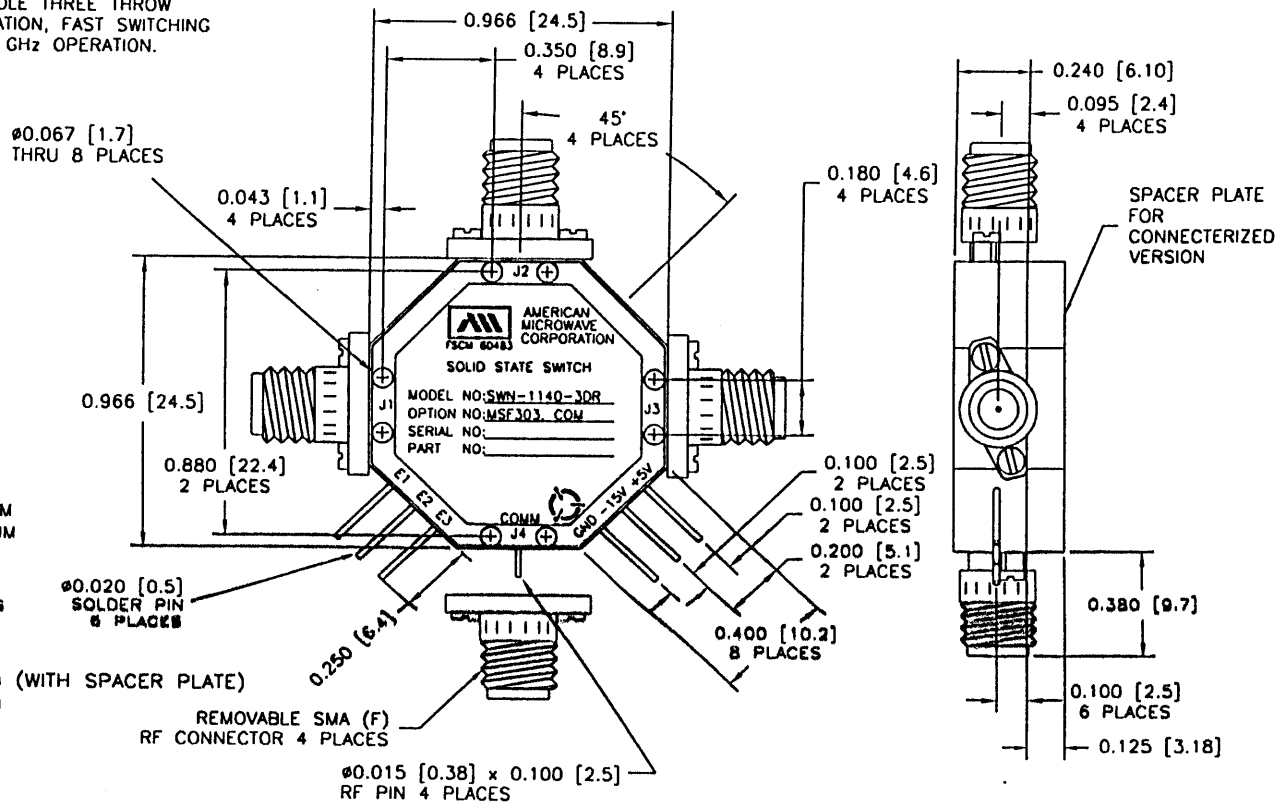
| REVISIONS | | | | |
|-----------|------|----------------------------------|--------|----------|
| ZONE | REV. | DESCRIPTION | DATE | APPROVED |
| | | ORIGINAL RELEASE JOB # 007167E-2 | 8/1/00 | |

DESCRIPTION:

AMC MODEL SWN-1140-3DR OPTION MSF303, COM IS A SINGLE POLE THREE THROW REFLECTIVE SWITCH MODULE WITH LOW INSERTION LOSS, HIGH ISOLATION, FAST SWITCHING SPEED AND WITH INTEGRAL TTL DRIVER, DESIGNED FOR 9.3 TO 9.9 GHz OPERATION.

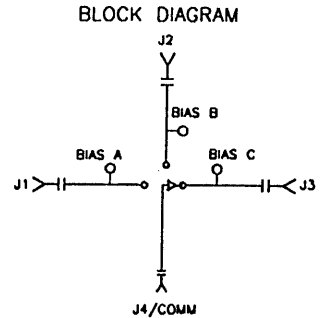
SPECIFICATIONS:

- FREQUENCY:.....9.3 GHz TO 9.9 GHz
- INSERTION LOSS:.....≤ 2.7 dB
- VSWR (ALL PORTS):.....≥ 15 dB
- ISOLATION:.....≥ 70 dB
- AMPLITUDE RIPPLE:.....≤ 0.05 dBpp
- PHASE RIPPLE:.....≤ 0.5 Degpp
- INPUT POWER:.....≥ 20 dBm (AT 2 dB COMPRESSION)
- SWITCHING SPEED: (50% TTL TO 90% RF).....≤ 100 ns
- CONTROL:.....TTL (SEE LOGIC TABLE)
- OPERATING TEMPERATURE:.....-20°C TO +60°C
- STORAGE TEMPERATURE:.....-65°C TO +125°C
- POWER SUPPLY:.....+5 VDC ±5% @ ≤ 110 mA MAXIMUM
-15 VDC ±5% @ ≤ 50 mA MAXIMUM
- THERMAL RESISTANCE:.....10°C/W
- INPUT POWER:.....1 WATT CW , 10W PEAK 1 μS
- CONNECTORS (RF):.....REMOVABLE SMA FEMALE, 4 PLACES
- CONNECTORS (POWER):.....SOLDER PINS
- CONNECTORS (CONTROL):.....SOLDER PINS
- SIZE:.....0.966" (L) x 0.966" (W) x 0.365" (H) (WITH SPACER PLATE)
0.966" (L) x 0.966" (W) x 0.240" (H)
- WEIGHT:.....1.5 OUNCE TYPICAL



| LOGIC TABLE | | | | | | |
|----------------|----|----|----------------|----------------|----------------|-----------|
| TERMINAL LEVEL | | | RF | | | |
| E1 | E2 | E3 | COMM/J4 - J1 | COMM/J4 - J2 | COMM/J4 - J3 | |
| L | L | H | INSERTION LOSS | ISOLATION | ISOLATION | ISOLATION |
| H | L | H | ISOLATION | INSERTION LOSS | ISOLATION | ISOLATION |
| H | H | L | ISOLATION | ISOLATION | INSERTION LOSS | ISOLATION |

LOGIC L = LOW (0)
LOGIC H = HIGH (1)



ALL DIMENSIONS ARE IN INCHES
TOLERANCES:
X.XX ±0.020
X.XXX ±0.010

ENVIRONMENTAL RATINGS:

- TEMPERATURE:.....-20°C TO +60°C (OPERATING)
-65°C TO +125°C (STORAGE)
- HUMIDITY:.....MIL-STD-202F, METHOD 103B COND. B
- SHOCK:.....MIL-STD-202F, METHOD 213B COND. B
- VIBRATION:.....MIL-STD-202F, METHOD 204D COND. B
- ALTITUDE:.....MIL-STD-202F, METHOD 105C COND. B
- TEMPERATURE CYCLE:.....MIL-STD-202F, METHOD 107D COND. A

NOTE: THE ABOVE SPECIFICATIONS ARE SUBJECT TO CHANGE OR REVISION

CONFIDENTIAL AND PROPRIETARY

| | | | | |
|--------------------------------|--|--------|---|-------------------|
| APPROVALS | | DATE | AMERICAN MICROWAVE CORPORATION FREDERICK, MARYLAND | |
| DRAWN D.K.P.P. / L.P.P.R.T. | | 8/1/00 | TITLE PRODUCT FEATURE SWN-1140-3DR OPTION: MSF303, COM | |
| CHECKED W.T. 8/29/00 | | | SIZE A | FSCM NO. 60483 |
| ISSUED P.A. 8/29/00 | | | DWG NO. 100-5210-2 | REV. 1 |
| SCALE N/S | | | SHEET 1 of 3 | |